

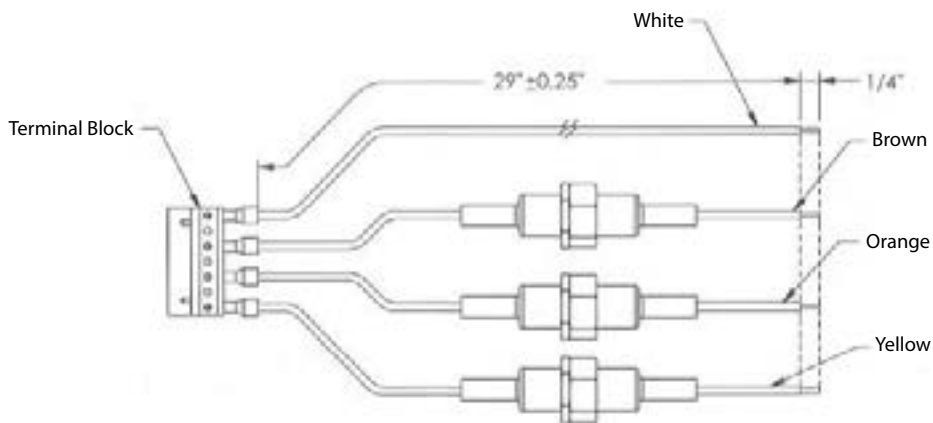
# Power Meter Fused Leads Fused Lead Assembly

The fast blow fused leads are 29 inches and have two input ranges: 480V and 208V. Fuses provided by the factory are rated 4/10 AMP at 600 VAC. Replace only with fuses of the same type and rating. The terminal block can be connected directly to the Power Patrol.

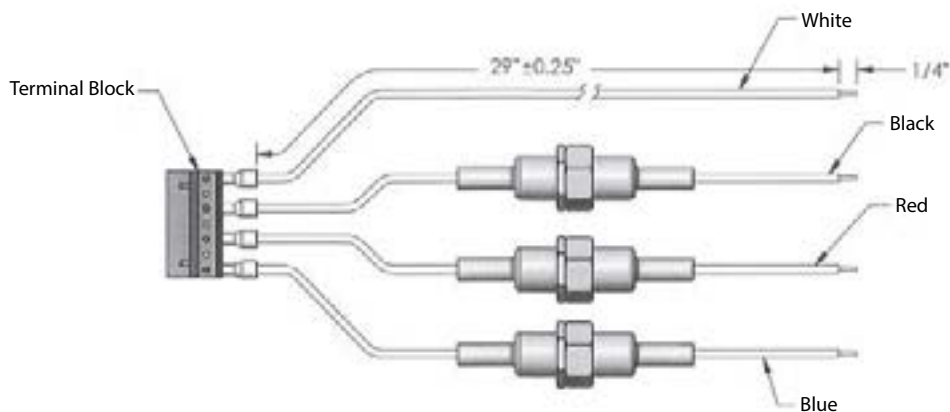


## DIMENSIONS

480V



208V



## ORDERING INFORMATION

Model	Description
SPP-ACC-Fuse-480	Fuse Leads 480 VAC
SPP-ACC-Fuse-208	Fuse Leads 208 VAC