



Setra AIR Watch

Installation Instructions

Setra Systems, Inc.

159 Swanson Road, Boxborough, MA 01719

800.257.3872 • www.setra.com



Table of Contents

1.0 Important Safety Instructions	3
2.0 Introduction	4
2.1 Intended Use.....	4
2.2 Included and Optional Accessories.....	4
3.0 Unboxing the unit.....	5
4.0 Installation.....	6
4.1 AIIR Watch Unit Set Up.....	6
4.2 Exhaust Set Up and Isolation Room Considerations	6
4.3 Setra LITE Set Up.....	11
5.0 Operations	12
5.1 AIIR Watch Unit Operation	12
5.2 Filter and UV-C Bulb Status Alert	13
5.3 Setra LITE Operation	14
6.0 HEPA Filter and UV-C Bulb Replacement	15
6.1 HEPA Filter Replacement	16
6.2 UV-C Bulb Replacement	17
7.0 Additional Resources.....	20
7.1 Isolation Room Guidance.....	20
7.2 Troubleshooting Tips	21
7.3 Setra LITE Detailed Instructions.....	23
8.0 Returns	23
9.0 Warranty and Limitation of Liability.....	23
10.0 Support.....	24

The material in this document is for information purposes only and is subject to change without notice. Setra Systems assumes no responsibility for any errors or for consequential damages that may result from the use or misrepresentation of any of the material in this publication.

1.0 Important Safety Instructions

READ AND SAVE THESE SAFETY INSTRUCTIONS BEFORE USING THE AIIR WATCH.

When using electrical appliances, basic precautions should always be followed to reduce the risk of fire, electrical shock, and injury to persons, including the following:

1. Read all instructions before operating the AIIR Watch.
2. Always place the AIIR Watch on a firm, flat, and level surface.
3. Place the AIIR Watch in an area where it is not easily accessible to children.
4. **DO NOT** sit, stand, or place heavy objects on the AIIR Watch.
5. Do not place the AIIR Watch near any heat sources such as stoves, radiators, and heaters.
6. Do not use the AIIR Watch where combustible gases or vapors are present.
7. Do not use the AIIR Watch outdoors.
8. Before using the AIIR Watch, check the power cord for any signs of damage. If the cord is found to be damaged, **DO NOT USE** and return the AIIR Watch to the manufacturer under the warranty agreement for repair. See Section 8.0 of these Instructions for Return/Repair guidance.
9. This appliance has a 3-prong grounded plug, to reduce the risk of shock, this plug is intended to fit only one way in a 3-prong grounded receptacle wall outlet. If the plug does not fit securely in the outlet, contact a qualified electrician. **DO NOT** use a 2-prong adapter to defeat the grounded safety feature. **DO NOT** attempt to defeat the grounded plug set up or modify in any way.
10. This appliance has a safety interlock switch designed to prevent inadvertent removal of the outer panel with the unit still in operation. **DO NOT** attempt to defeat this interlock safety switch and always turn OFF unit and DISCONNECT power plug from wall outlet prior to servicing the unit.
11. **DO NOT** reach into the exhaust port of the unit with hands and **DO NOT** attempt to place foreign objects inside the exhaust port. This could result in injury or damage to the unit.
12. To disconnect the AIIR Watch, first turn the on/off switch to the OFF position, then grip the plug and pull it from the wall outlet. Never pull by the cord.
13. A loose fit between the AC power outlet (receptacle) and plug may cause overheating and a distortion of the plug. Contact a qualified electrician to replace loose or worn outlets.
14. **DO NOT** run power cord under carpets and do not cover with throw rugs. Arrange cord such that it will not be tripped over.
15. Always turn the AIIR Watch controls to the OFF position and unplug from the wall outlet when not in operation or while being serviced or cleaned.
16. Never tilt or attempt to move the AIIR Watch while it is operating. Be sure to UNPLUG the AIIR Watch before moving it.
17. The AIIR Watch requires regular replacement of the HEPA filter and UV-C bulbs during its useful life. Refer to the HEPA Filter and UV-C Bulb Replacement sections of these Instructions. Never clean nor service the AIIR Watch in any manner other than as instructed in this manual.
18. **WARNING:** Skin or eye damage may result from directly viewing the light produced by the lamp in the AIIR Watch. Always disconnect power before re-lamping or servicing the UV-C bulbs or any other part of the AIIR Watch. Replace UV-C bulbs with a Setra non-ozone UV-C bulb, ordered from Setra Systems. The UV-C bulbs are designed specifically for this AIIR Watch product.
19. **DO NOT** direct exhaust flow directly at individuals, walls, or furniture.

20. If you notice the indication light on the unit turns RED this indicates the UV-C bulbs are 500 operating hours away from end of life. Be sure to replace the UV-C bulbs as soon as possible to avoid unsafe operation of the unit due to end of life UV-C bulbs. Contact the manufacturer for proper replacement UV-C bulbs and review Section 6.2 of these Instructions for replacement instructions.

The sealed UV bulbs contain a small amount of mercury. Dispose of these items at household hazardous waste collection sites only. If the UV bulb breaks, do not vacuum or handle with your bare hands.

WARNING: To reduce the risk of fire or electric shock, DO NOT use the AIIR WATCH with any solid speed control device.

2.0 Introduction

The Setra AIIR Watch is the versatile solution for creating safer spaces through increased clean air circulation. Exhaust de-contaminated air out of a space, create negative pressure for isolation, and incorporate comprehensive air purification with the Setra AIIR Watch.

The Setra AIIR Watch Negative Pressure Air Quality Module is quiet and compact. It can be easily brought into and installed in rooms to turn them into negative isolation spaces to prevent contaminated air from escaping into areas outside the isolation space.

The Setra AIIR Watch can also be ordered as a comprehensive air purification solution to recirculate purified air and increase air circulation.

2.1 Environment

The Setra AIIR Watch is designed to be used in various air sterilization scenarios. The unit can generate negative pressure in properly sealed and sized spaces, by pulling the air into the unit and exhausting it outside of the sealed space. The unit sterilizes the air via HEPA filtration and UV-C light to provide safe exhaust air that is then removed from the space using the included exhaust accessories. The exhaust process enables the creation of a negative pressure space.

A second application is the sterilization of the air within a space. Air is taken into the unit, sterilized and then returned to the space, acting as an air purifier. This application does not create a negative isolation room but rather sterilizes the air in that space or extended areas while also increasing air circulation.

2.2 Included and Optional Accessories

The Setra AIIR Watch, when ordered for use as a Negative Pressure Air Quality Module under part number AIIR06AA will include the following items:

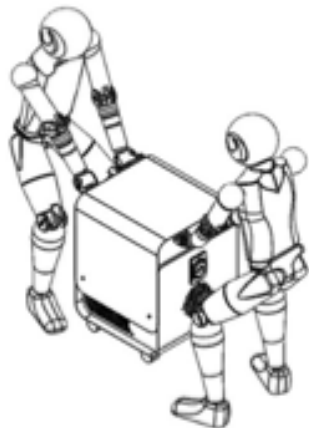
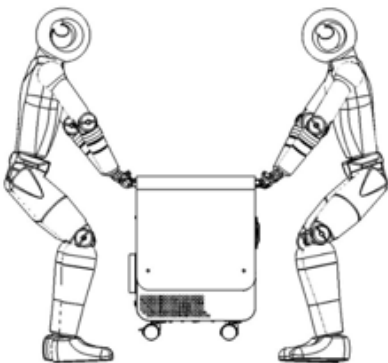
1. AIIR Watch Unit
2. Flexible Exhaust Hose with Two Worm-Gear Clamps
3. Telescoping Exhaust Vent Assembly
4. Setra LITE Room Pressure Monitor
5. Setra LITE Quick Mount Kit Accessories:
 - a. Battery pack
 - b. AC adapter with 6-foot cord
 - c. RPS Single Gang Filtered Pressure Port
 - d. Mounting Bracket

The Setra AIIR Watch, when ordered for use as an Air Purifier under part number AIIR06NN includes ONLY the AIIR Watch unit as none of the exhaust accessories are needed in that scenario.

3.0 Unboxing the Unit

The Setra AIIR Watch comes assembled and ready to use after removal of the packaging and screwing in the UV bulbs. The AIIR Watch unit weighs 55 pounds and it is recommended that 2 people are used to remove the unit from the box as shown in the images below.

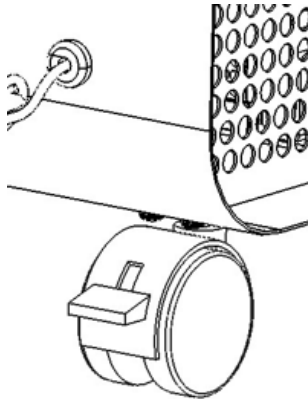
1. Open the box top.
2. Remove black foam insert.
3. Grasp the unit while still in the polybag by the top, lift unit straight up and set the unit onto the floor. When placing the unit onto the floor, be aware that the unit has 4 wheels at its base with 2 locking casters. Remember to bend with knees, not back.
4. Unfasten the top of the polybag and pull downward off of the unit.
5. Lift the unit out of the polybag and set it on the floor.
6. Remove the black shipping foam from the two side inlet grills.
7. The top of the unit needs to be removed to dispose of the inner packaging. Unscrew and remove the four white thumbscrews from the outer panel. Remove the top panel section by lifting it straight up off the unit.
8. Remove the four white shipping blocks by sliding them towards the middle of the unit and lifting them up.
9. Unclasp and remove the filter box lid, shown below (insert image).
10. Remove the HEPA filter for ease of access to the UV bulbs. Remove UV bulbs from their boxes, handling only by the white packaging to protect bulb life.
11. Insert and screw the first bulb in to one of the provided sockets inside the filter box. Repeat with the second bulb. Verify tightness by grasping the ceramic base of the bulb to tighten. Be cautious not to over-tighten bulbs.
12. Remove the white foam insert from both bulbs by sliding upward.
13. Replace the HEPA filter as shown below with BLUE side facing forward.
14. Replace and secure the filter box lid. Replace the top of the unit and secure with the four thumbscrews. The AIIR Watch unit is now ready for operation.



4.0 Installation

4.1 AIIR Watch Unit Set Up

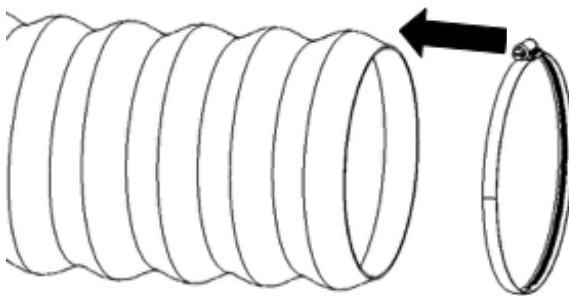
The AIIR Watch arrives assembled and once removed from the box it can be moved to the desired location via the wheels on the unit. Be sure to install AIIR Watch in a dry, indoor location. The unit will be powered via its 120 VAC power cord (6 ft length) so be sure to locate the unit close enough to a power outlet. To prevent movement when unit is in desired location, place locking casters into "locked" position by pressing down on the levers as shown.

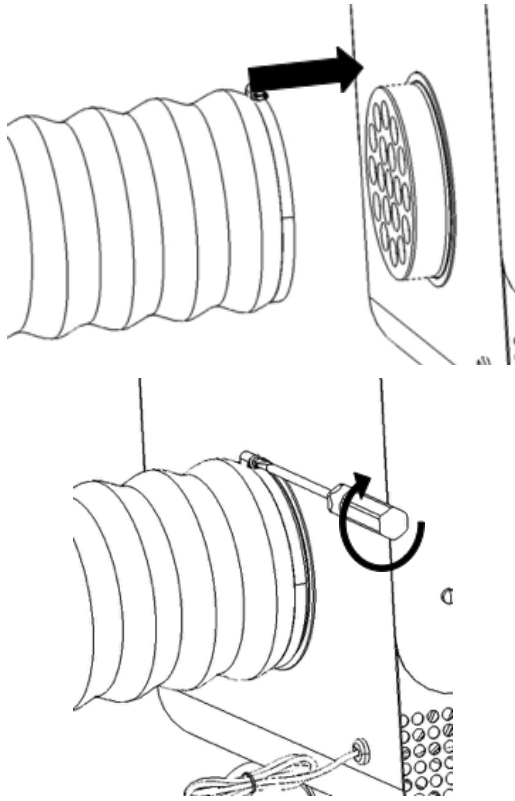


4.2 Exhaust Set Up and Isolation Room Considerations

There are multiple scenarios available for the exhaust set up from the AIIR Watch Unit. The unit is provided with flexible exhaust hose, worm-gear clamps, and telescoping vent for exhausting out a standard window.

Place a worm-gear clamp onto one end of the flexible duct and slide the flexible duct onto the exhaust port of the unit. Tighten the clamp using a flat-bladed screwdriver or nut driver.





Caution: DO NOT reach into the exhaust port of the unit with hands and DO NOT attempt to place foreign objects inside the exhaust port. This could result in injury or damage to the unit. The three exhaust scenario options are described below:

1. Exhausting out a standard window with the provided accessories.
 - a. Open the window and place the telescoping vent assembly into place with external cowling facing downward for weather protection.
 - i. Dimensions of the vent are:
 - Height: 10 inches
 - Total Depth: 5 – 3/8 inches
 - Panel Depth (part held in place by window): 1 – 1/8 inches
 - Length (adjustable): 24 to 36 inches



Figure 1. Inside view of window vent. Flexible duct is connected to this end.

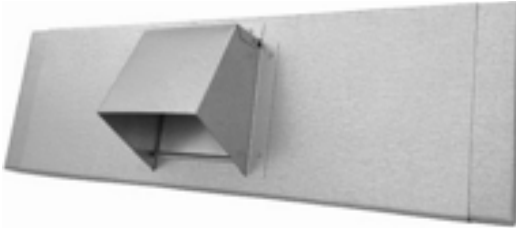
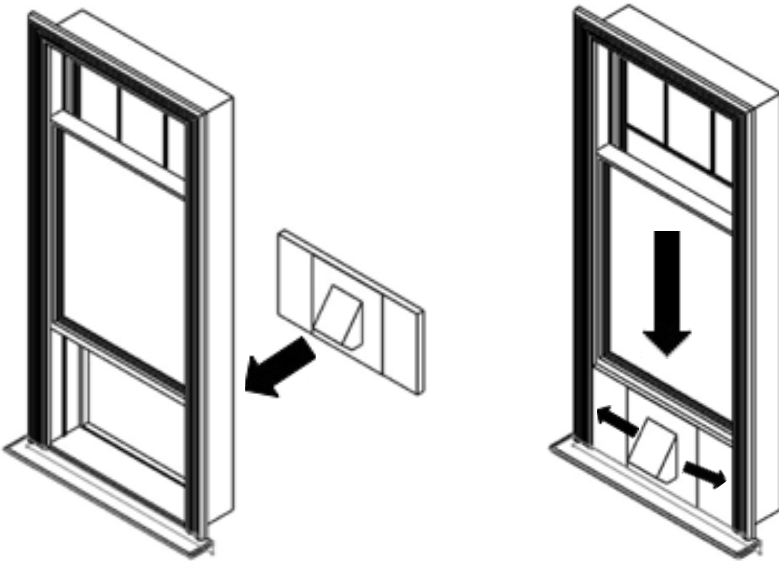


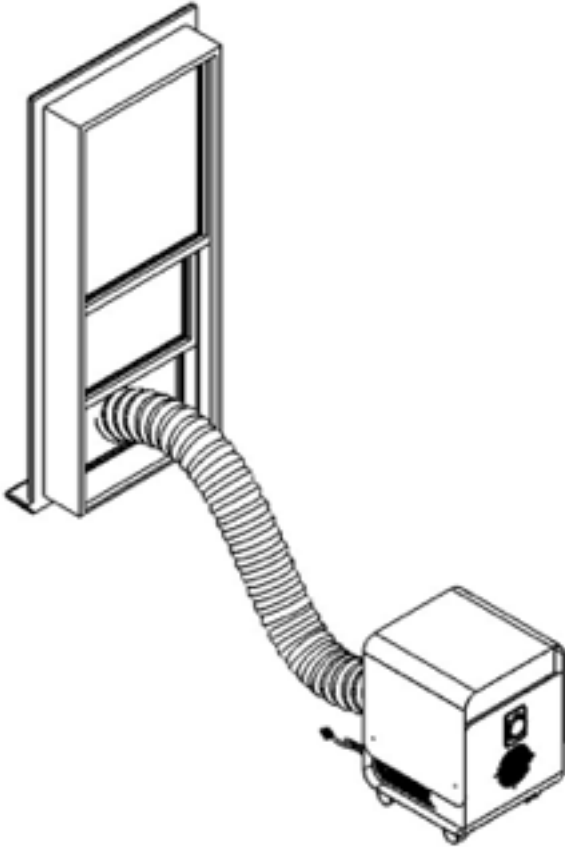
Figure 2. Outside view of window vent. Be sure to position the opening downwards to prevent debris/rain from entering.

- b. Extend the wings of the telescoping vent assembly until the vent assembly fills the window opening. Appropriate steps should be taken to seal the vent assembly into the window and to ensure the window has no leaks around its periphery.

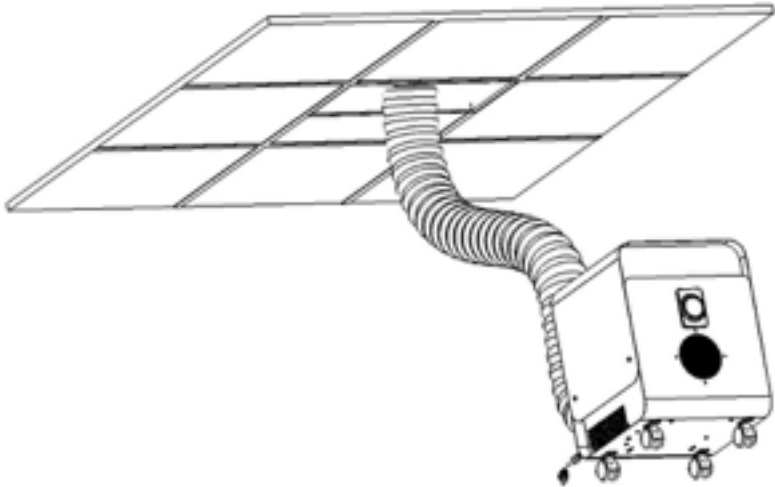


- c. Place a worm-gear clamp onto the existing end of the flexible duct and slide the flexible duct onto the exhaust port of the vent assembly. Tighten the clamp using a flat-bladed screwdriver or nut driver.

d. If exhausting out a window is desired, but the space has non-standard windows – e.g. casement windows – the Setra AllR Watch flexible exhaust hose can be used with other window vent adapters. Non-standard window vent adapters are commercially available for use with other items that need to exhaust out a window, like an air conditioning unit.



2. The vent assembly can also be used in place of a commercial ceiling tile, exhausting treated air into the space above the ceiling. The telescoping vent assembly will fit into many ceiling tile set ups. Note: the remaining gap in the ceiling tile space is then filled by cutting the existing ceiling tile to the appropriate size and re-fitting into that gap. The exhaust hose is then connected to the vent assembly in the same manner as the window scenario.



3. The exhaust hose can also be connected directly into the existing HVAC system exhaust. It is recommended to contact a local HVAC professional for custom HVAC installations.

Caution: For isolation room applications, the room must be sealed of all leaks from floor to ceiling including door gasketing, light fixture air leaks, ceiling tiles and any windows.

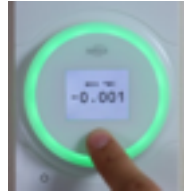
Competing air streams such as the presence of air conditioning vents or forced hot air vents must be accounted for by dampening or other means as to not significantly interfere with the performance of the unit in pulling the room to a negative pressure. Any un-powered return vents in the room not being used by the AIIR Watch should be sealed OFF as the AIIR Watch unit itself is now acting as the HVAC return for the room.

If connecting the exhaust of the AIIR Watch to an existing HVAC return or building exit duct, this duct should be under powered flow. Extended lengths of exhaust from the unit without augmented flow assist will degrade the ability of the unit to pull the room negative.

The performance of the AIIR Watch has been tested in controlled and sealed-room conditions using a telescoping window vent (pictured here) and 6 feet of flexible ducting connected using worm-gear clamps on each connection.

4.3 Setra LITE Set Up

The Setra AIIR Watch, when ordered under part number AIIR06AA will include the Setra LITE Room Pressure Monitor. This is a stand-alone room monitor to be mounted outside of the pressurized space. The Setra LITE Room Pressure Monitor is not attached to or a part of the Setra AIIR Watch unit. Setra Lite is about the size of a standard light switch and just as simple to install. It fits in a single-gang US electrical box and is powered by 24VAC or 24VDC. As an additional installation option, the included Quick Mount kit can be used to mount the unit via a single hook with the bracket and then power the unit via a standard power outlet with the included power adapter.



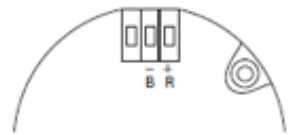
Pressure Pickup Port



The Setra LITE monitor is mounted outside the pressurized space and a Pressure Pickup Port (RPS) is mounted inside the pressurized space. The RPS also fits in a single-gang electrical box and is connected to the Setra LITE monitor via 1/8 in. ID silicon tubing (supplied by the installer). The tubing is connected on one end directly to the port at the rear of the monitor outside the pressurized space and connected at the other end to the rear face of the RPS at the barbed fitting. Be sure to locate the Pressure Pick Up Port at least 6 ft away from any other HVAC/ Air Vents in the room. If other air flows in the room are located too close to the Pressure Pick Up Port it will interfere with the accuracy of the Setra LITE Room Pressure Monitor measurement.

Power

The Setra LITE monitor can be powered in one of two ways: (1) via the included power adapter plugged into a standard outlet (if mounting with the Quick Mount kit bracket) or (2) via 24 VAC or 24 VDC wiring run to the unit if mounting in a single gang box. The back of Setra LITE has a 3-pin terminal block used to connect power via the 2 pins on the right when looking at the rear of the unit. Connect the 24 VDC (+/- 10%) or 24 VAC (18-32 VDC operational), 50-60 Hz lines to the two right terminals (shown) typically black (B) and red (R) wire.

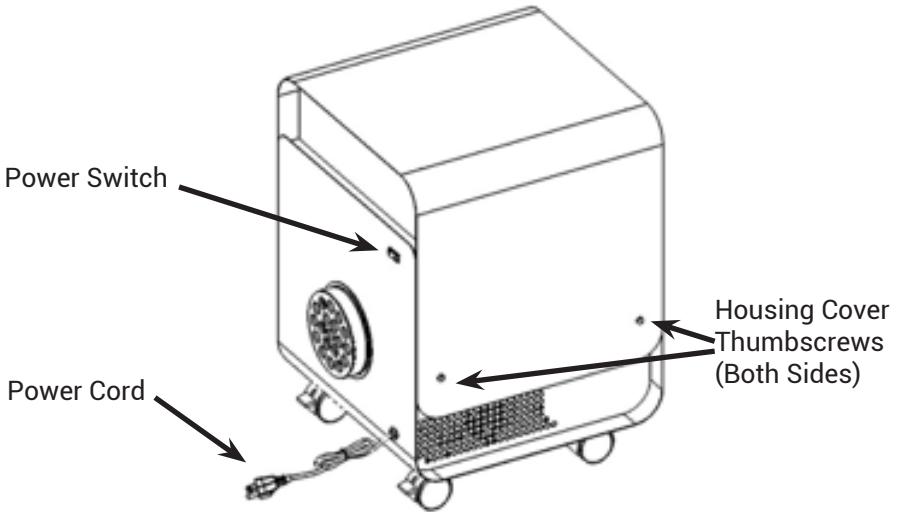


5.0 Operation

5.1 AIIR Watch Unit Operation

After having completed removal of the unit from its packaging, according to this installation guide, continue with the instructions below to begin operation of the unit:

1. Plug the unit into a 120 VAC grounded electrical receptacle.
2. Verify all four outer housing thumbscrews are in place and hand tight.
3. Turn the unit ON using the power switch located on the upper rear of the unit.
4. The unit should power up and flow should begin.
5. The filter alert on the unit will start automatically and should show a GREEN light during operation.



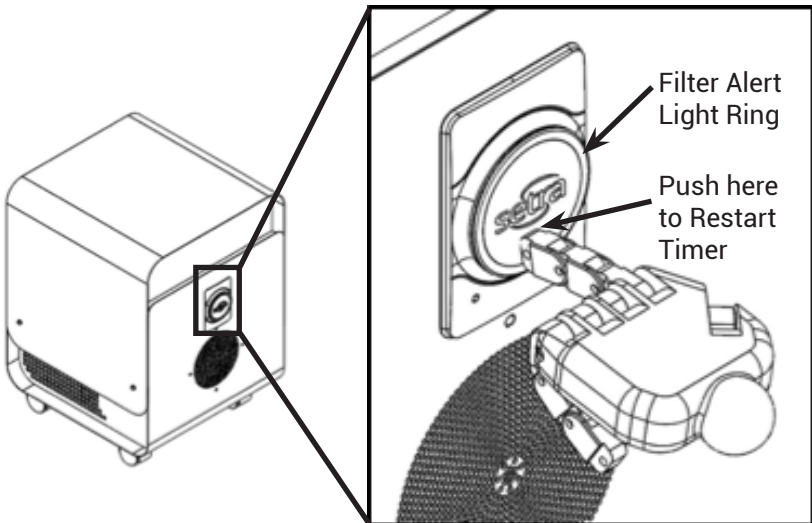
Note: Do not attempt to remove the top cover while the unit is running. The unit has a built-in safety feature so that the top panel cover cannot be removed while the unit is operating. The 4 white thumbscrews need to be fully removed in order to remove the white panel cover from the unit. The white thumbscrew on the back-left side (when facing the front of the unit) of the panel is connected to a safety switch. If that screw is loosened while the unit is ON then the unit will automatically switch OFF. If removing the top panel cover be sure the unit is switched OFF and unplugged.

5.2 Filter and UV-C Bulb Status Alert

The filter alert light ring located on the AIIR Watch unit will provide visual indication of the HEPA Filter and UV-C Bulb status while the unit is powered on. During normal operation the light ring on the AIIR Watch will glow green.

The filter alert light ring is monitoring the cleanliness of the HEPA filter via pressure drop across the filter. The filter alert will glow yellow when the filter is becoming clogged to allow for time to coordinate filter replacement. Upon replacement of the clogged filter, the alert ring will automatically return to green.

The alert light ring is also set up to monitor the life of the two UV-C bulbs inside the unit. When the UV-C bulbs begin to reach the end of their useful life, the alert ring will turn red. Once the light ring turns red there are approximately 500 hours remaining in the useful life of the bulbs, allowing for time to coordinate replacement of both UV-C bulbs. Upon replacement of both bulbs, simply press the face of the alert light ring below the Setra logo, that will restart the UV-C bulb life timer and automatically return the light ring to green.



5.3 Setra LITE Operation



The Setra AIIR Watch, when ordered under part number AIIR06AA will include the Setra LITE Room Pressure Monitor. This section of the instructions applies to installations that include the Setra LITE Room Pressure Monitor which is a stand-alone monitor separate from the Setra AIIR Watch unit. Once installed and powered on, the Setra Lite can be configured via the 3 buttons located below the LCD display on the circuit board. To remove the front lens for access to the configuration

buttons, simply grab on the left and right side edges and pull straight away from the wall. The configuration menu can be accessed by holding the LEFT button for 3 seconds.

Various options can be adjusted via the configuration screens, use the RIGHT button (“✓”) to navigate to the next screen and the LEFT button (“⏪”) to navigate to the previous screen and eventually exit the configuration menu.

To change a setting, navigate to the desired setting screen, and press and hold the RIGHT button (“✓”). The screen text should flash 3 times, indicating ability to adjust the setting. Use the LEFT (“⏪”) and MIDDLE (“←”) buttons to adjust the selected setting. When finished, press the RIGHT button (“✓”) to save the setting. The screen text should flash 3 times to indicate return to the main configuration selection screens.

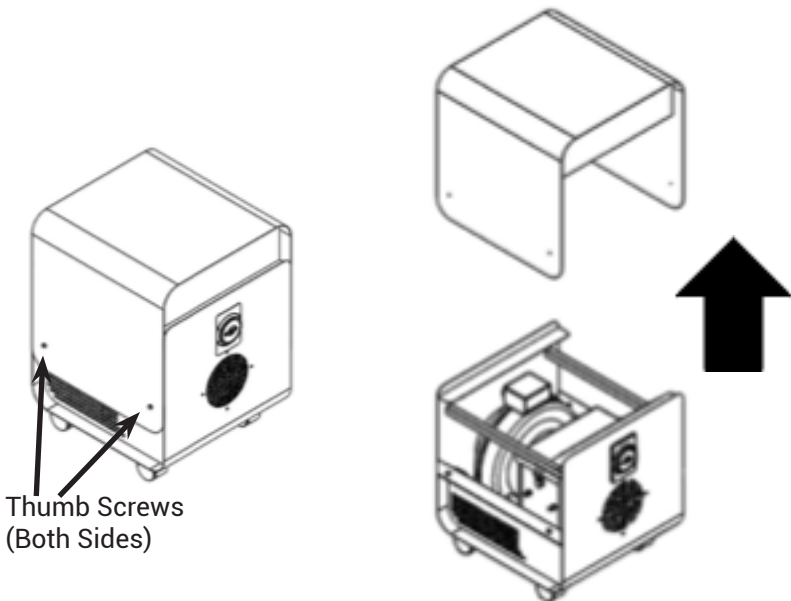
Be sure to use the “Room” screen to select “NEG” for your negatively pressurized room. Then use the “Alarm Limits” screen to select your desired alarm limit – this is the pressure that the Setra Lite ring will turn from green to red to indicate the space is no longer negatively pressurized. When configuration is completed, simply snap the front lens back in place and the unit will resume normal operation.

6.0 HEPA Filter and UV-C Bulb Replacements

When the filter alert located on the front face of the AIIR Watch glows YELLOW, it is time to replace the HEPA filter inside the unit. When the light ring glows RED, it is time to replace the two UV-C bulbs inside the unit. In order to replace these parts, the white outer panel of the AIIR Watch needs to be removed.

Caution: When performing replacements, the top outer panel of the unit will need to be removed. Ensure the unit is turned OFF and unplugged. DO NOT attempt to adjust or repair any other part of the AIIR Watch unit, other than the HEPA filter and UV-C bulbs as described in these instructions.

1. Turn OFF the unit via the power switch.
2. Disconnect the power cord from the wall receptacle.
3. Unscrew and remove the 4 white thumbscrews from the outer panel.
4. Remove the outer panel section by lifting it straight up and setting it aside.

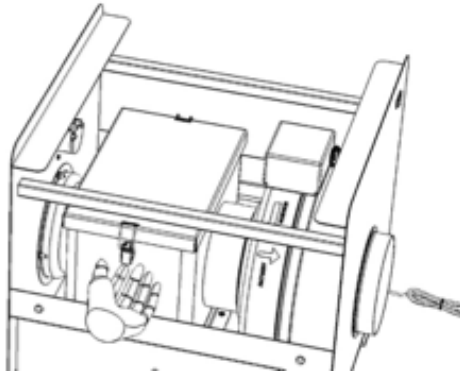


6.1 HEPA Filter Replacement

Once the outer panel is removed, the inside of the unit is exposed and ready for HEPA filter replacement. Use only a Setra True HEPA filter (Replacement Part Number = 380415), ordered from Setra Systems. The HEPA filter is designed specifically for this AIIR Watch product.

Caution: User should ALWAYS wear disposable gloves when handling the HEPA filter during replacement.

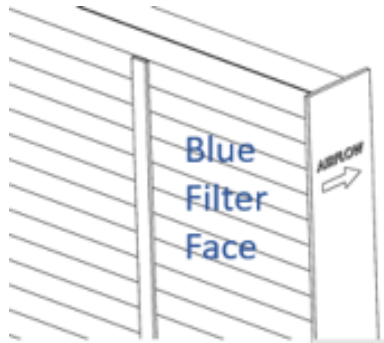
1. The HEPA filter is inside of a Filter Box, which can be opened via the 2 clasps on either side of the box, shown below.



2. Remove the top cover from the filter box and set cover aside.
3. Lift the filter straight up and out of the filter box and place filter into a bag for disposal.



4. Replace with the Setra True HEPA filter (Replacement Part Number = 380415). Note the orientation of the filter as shown below. The blue face of the filter is placed towards the front of the AIIR Watch unit. Slide the filter straight down into the filter box using the guiding panels to place the filter in the center of the filter box.



5. Place the filter box cover back on top of the filter box, then engage and close both clasps to complete filter replacement.

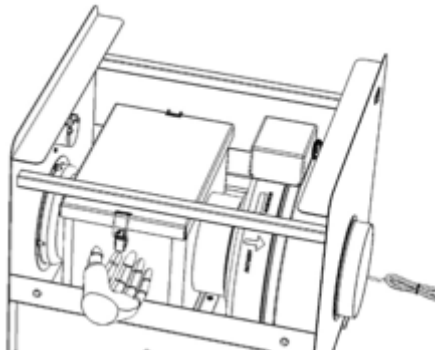
6.2 UV-C Bulb Replacement

Once the outer panel is removed, the inside of the unit is exposed and ready for UV-C bulb replacement. Use only a Setra non-ozone UV-C bulb (Replacement Part Number = 380416), ordered from Setra Systems. The UV-C bulbs are designed specifically for this AIIR Watch product.

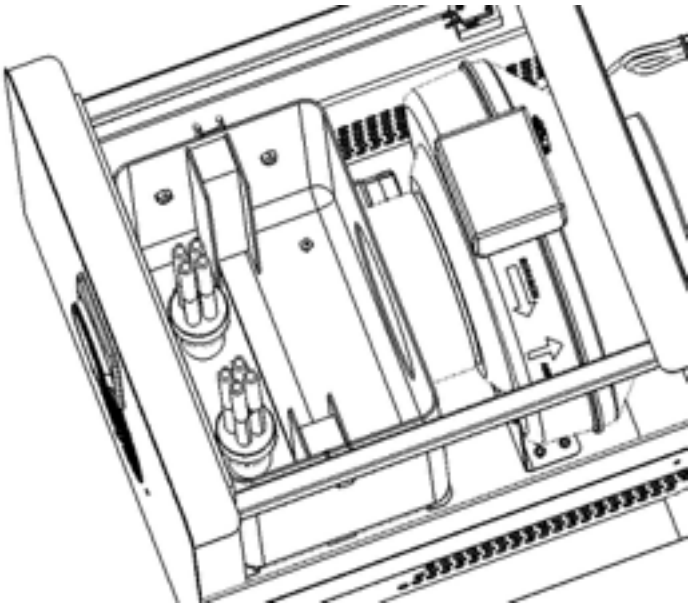
Caution: User should ALWAYS wear gloves when handling the UV-C bulbs during replacement. Handling a new UV-C bulb without gloves can transfer oils from the hand onto the bulb which could reduce its service life.

Caution: Always turn OFF and unplug the unit before replacing UV-C Bulbs.

1. The UV-C bulbs are inside of the Filter Box, which can be opened via the 2 clasps on either side of the box, shown below.

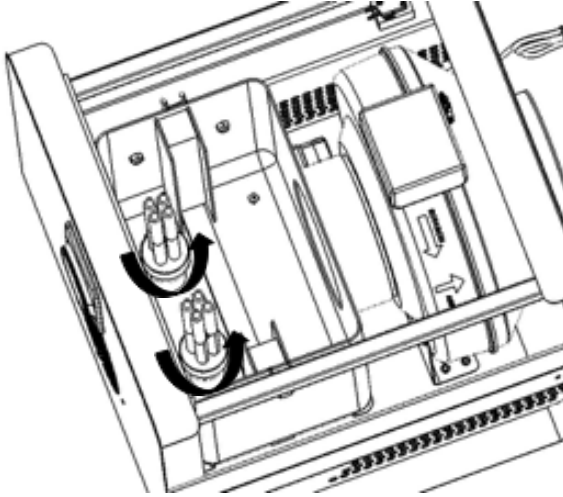


2. Access to the bulbs may be easier if the HEPA filter is removed. The filter should be lifted straight up and out of the filter box and placed in a bag to safely set aside while UV-C bulbs are being replaced.



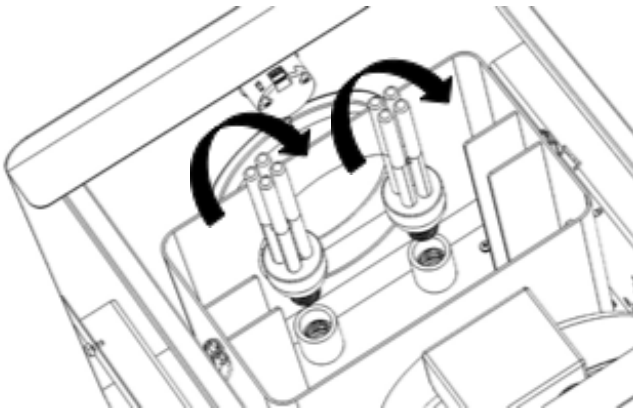
3. To remove a UV-C bulb, grasp the bulb with gloved hand and unscrew from the bulb socket as shown below. Remove both UV-C bulbs and safely discard.

Note: The sealed UV bulbs contain a small amount of mercury. Dispose of these items at household hazardous waste collection sites only. If the UV bulb breaks, do not vacuum or handle with your bare hands

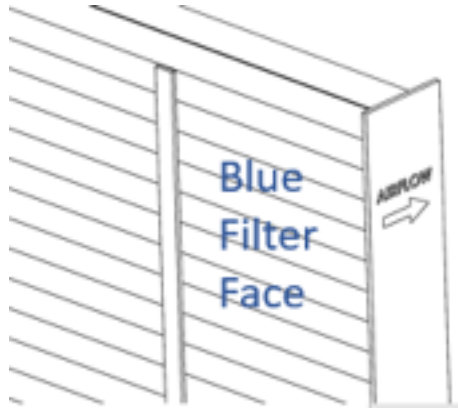


4. Replace with 2 new Setra UV-C bulbs by screwing the bulbs into the bulb sockets as shown below. Do not over-tighten the bulbs.

Caution: User should ALWAYS wear gloves when handling the UV-C bulbs during replacement. Handling a new UV-C bulb without gloves can transfer oils from the hand onto the bulb which could reduce its service life.



- Return the HEPA filter into place by sliding it straight down into the filter box using the guiding panels to place the filter in the center of the filter box. Ensure that the blue face is placed towards the front of the AIIR Watch unit.



- Place the filter box cover back on top of the filter box, then engage and close both clasps to complete UV-C bulb replacement.

7.0 Additional Resources

7.1 Isolation Room Guidance

When creating a Negative Pressure Isolation Space using the Setra AIIR Watch there are several factors that could impact the pressure in the space. Refer to Section 4.2 Exhaust Set Up and Isolation Room Considerations of this document for instructions on running the exhaust hose from the Setra AIIR Watch to the exhaust location and for room air flow considerations. Included in this section are additional tips and considerations for setting up a Negative Pressure Isolation Space.

If forced AC or forced hot air is used, these competing incoming airflows will need to be adjusted to a flow rate below 350 CFM which is the flow rate at which the AIIR Watch is removing air to create negative pressure.

Also consider, if your exhaust tubing is long, e.g. 25 ft or more, this will reduce the CFM strength of the AIIR Watch unit.

Consider all the places that air could leak into the space when looking to achieve negative pressure. These could include spaces around doors, light fixtures, windows, unused vents, ceiling tiles. These areas can be easily covered/sealed with commercially available products (e.g. door draft stoppers).

Monitoring the negative pressure with the Setra LITE will help provide a constant reading of the pressure achieved in the room.

7.2 Troubleshooting Tips

Problem	Possible Causes
<p>Unit will not turn on or unit was running and now is stopped.</p>	<p>One of the UV bulbs are loose in the bulb socket. Verify UV bulbs are screwed into their sockets fully.</p> <p>The left-rear housing thumbscrew has become loose or has been removed. Verify all four housing thumbscrews are fully tightened.</p> <p>The unit has experienced a surge in electrical system due to lightning or other power surge and the power switch has automatically disconnected. Toggle power switch to the OFF position and return to the ON position.</p> <p>Power cord is unplugged. Verify plug is securely installed in electrical receptible</p> <p>Power cord is damaged. Review length of power cord for any damage. If damaged, do not attempt repair. Call customer service.</p>
<p>Filter Alert light ring is showing a YELLOW light</p>	<p>Filter has become clogged beyond the pre-set alert level. Replace filter (Replacement Part Number = 380415).</p>
<p>Filter Alert light ring is showing RED light</p>	<p>UV-C bulb life alert has reached its pre-set limit of 7,500 hours. Replace both UV-C bulbs (Replacement Part Number = 380416) within 500 hours and re-set the timer according to Section 5.2 of these instructions.</p>
<p>Filter Alert light ring is showing no light (under normal operation Filter Alert light ring should be showing GREEN light).</p>	<p>Filter Alert has had malfunction. Call Setra Systems Tech Support.</p> <p>Power cord is unplugged. Verify plug is securely installed in electrical receptible and power to the outlet is on.</p> <p>Power cord is damaged. Review length of power cord for any damage. If damaged, do not attempt repair. Call customer service.</p>

<p>Unit is used in a negative pressure isolation space and monitoring of the room is showing a "sudden" neutral or near-neutral pressure condition.</p>	<p>For sudden neutral or near-neutral pressure conditions, verify competing flows in the room or in the hallway are properly dampened to allow sufficient room isolation relative to adjacent spaces.</p> <p>Verify the expected room seals are still in place – ensure doors and windows are closed and ceiling tiles are in place.</p> <p>Verify that both inlet grills on the two sides of the unit are not obstructed. Note: the inlet grills are only on the sides of the unit, not the front or back.</p> <p>Verify the exhaust of the unit is not obstructed or dampened.</p> <p>Verify the exhaust hose connections are secure.</p>
<p>Unit is used in a negative pressure isolation space and monitoring of the room is showing a "gradual" neutral or near-neutral pressure condition.</p>	<p>The HEPA filter has become clogged beyond the ability of the unit to move sufficient air in this room scenario but may not be showing YELLOW ring. Order replacement HEPA filter from Setra (Replacement Part Number = 380415) and complete filter replacement per section 6.1 of these instructions.</p> <p>Operating conditions of the space under these conditions may require adjustment of the pressure drop alert level on the Filter Alert light ring. Contact Setra Systems technical support for guidance in setting a new alert level based on your special room conditions.</p>

7.3 Setra LITE Detailed Instructions

If needed, the detailed Operating & Installation Guide for the Setra LITE Room Pressure Monitor is available on Setra's website under the Setra LITE product page.

<https://www.setra.com/product/room-pressure-monitors/setra-lite>

8.0 Returning products for repair

When returning a product to Setra Systems, please use the link provided below to submit a request for a return number and receive detailed instructions for the return.

<https://www.setra.com/support/service>

9.0 Limited warranty & limitation of repair

SETRA warrants its products to be free from defects in materials and workmanship, subject to the following terms and conditions: Without charge, SETRA will repair or replace products found to be defective in materials or workmanship within the warranty period; provided that:

- a) the product has not been subjected to abuse, neglect, accident, incorrect wiring not our own, improper installation or servicing, or use in violation of instructions furnished by SETRA;
- b) the product has not been repaired or altered by anyone except SETRA or its authorized service agencies;
- c) the serial number or date code has not been removed, defaced, or otherwise changed; and
- d) examination discloses, in the judgment of SETRA, the defect in materials or workmanship developed under normal installation, use and service;
- e) SETRA is notified in advance of and the product is returned to SETRA transportation prepaid.

Unless otherwise specified in a manual or warranty card, or agreed to in a writing signed by a SETRA officer, SETRA AIIR Watch products shall be warranted for one year from date of sale.

The foregoing warranty is in lieu of all warranties, express, implied or statutory, including but not limited to, any implied warranty of merchantability for a particular purpose.

SETRA's liability for breach of warranty is limited to repair or replacement, or if the goods cannot be repaired or replaced, to a refund of the purchase price.

SETRA's liability for all other breaches is limited to a refund of the purchase price. In no instance shall SETRA be liable for incidental or consequential damages arising from a breach of warranty, or from the use or installation of its products.

No representative or person is authorized to give any warranty other than as set out above or to assume for SETRA any other liability in connection with the sale of its products.

10.0 Support

Technical Support



800.257.3872



www.setra.com



techsupport@setra.com



Setra Systems, Inc.

159 Swanson Road, Boxborough, MA 01719
800.257.3872 • www.setra.com